



PROTECT

combined with active carbon



FOR  
**DODGE**  
**JEEP**  
**LANCIA**

**CALIBER** A/C+/- (07/06 >) / **JOURNEY** A/C+ (06/08 >)  
**COMPASS** A/C+/- (09/06 >) / **PATRIOT** A/C+/- (09/06 >)  
**FLAVIA** A/C+/- (06/12 >)

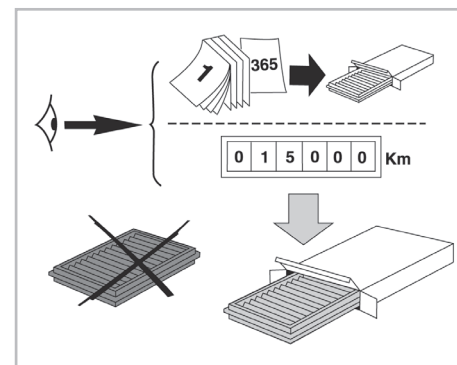
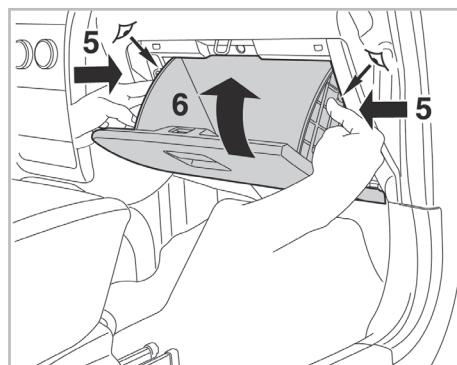
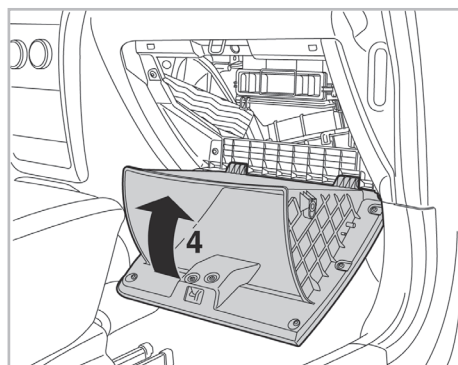
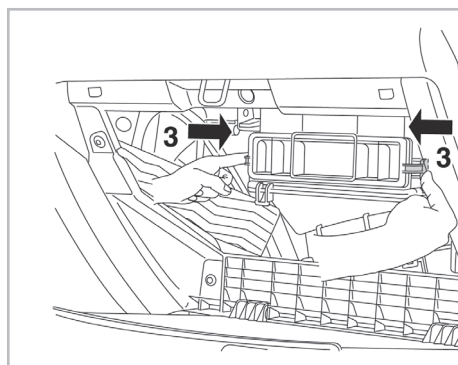
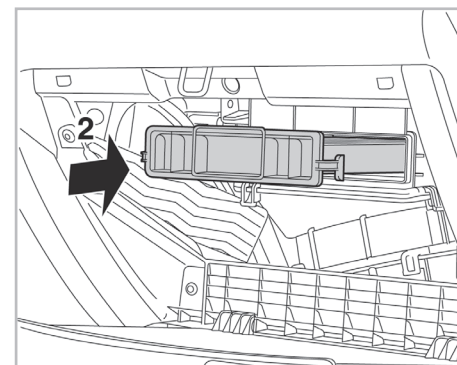
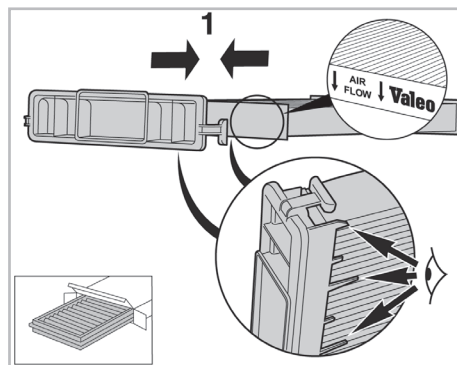
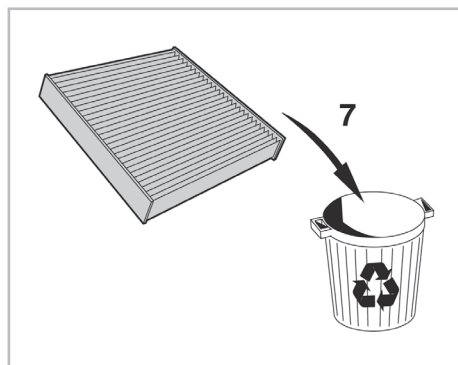
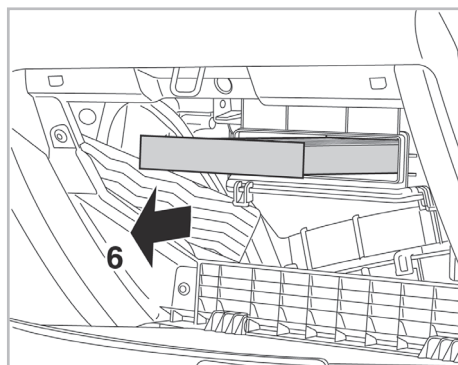
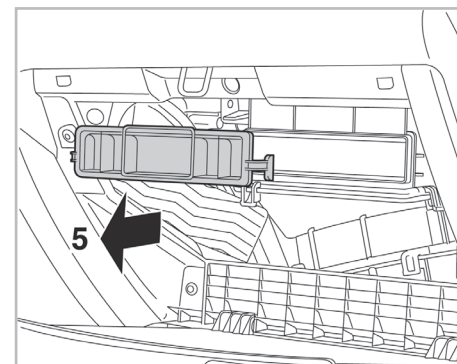
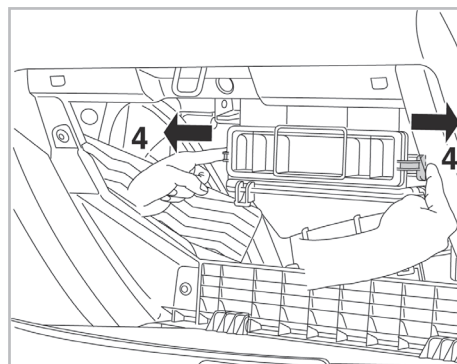
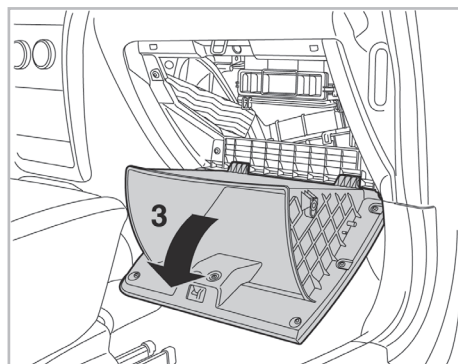
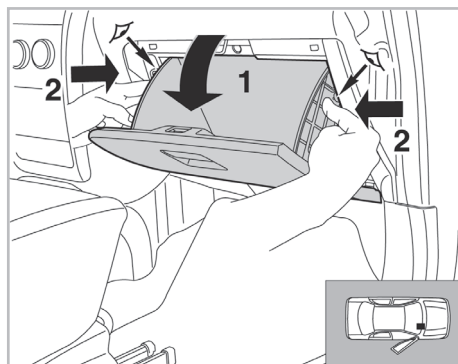


**715537**

FH247



CA



WANT TO KNOW MORE?



www.valeo-techassist.com

Valeo Service - Société par Actions simplifiée - Capital de 12 900 000 € - 70, rue Playel, 93285 Saint-Denis Cedex - France - B 306 486 408 RCS Bobigny